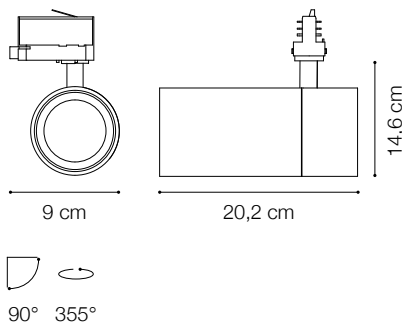




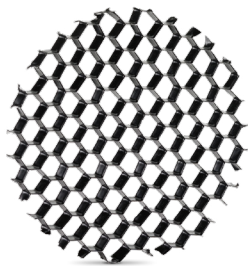
TRACKLIGHTS

Extruded aluminum cylindrical tracklight suitable for installation on three-phase track. White or black powder coating, 355° turning head and 90° adjustable, the power driver is included and located in the cylindrical body of the projector itself. Dimmable 1-10 or DALI version available. Light source with integrated COB LED technology for maximum efficiency, available with a color temperature of 3000K or 4000K; Energy efficient LED with high color rendering, up to CRI ≥ 90; starting binning ≤3-Step MacAdam; symmetrical beam optic with three different emission angles and glare control (UGR <19); assembly and disassembly without tools; IP20 protection; insulation class I. Ideal for installation in big rooms, where great flexibility and color rendering is required, such as MUSEUM, COMMERCIAL and RETAIL spaces.

| | |
|------------------|-------------------------------------|
| Code | 222660 |
| Item name | QUICK 28W CRI90 30° 3000K BK ON-OFF |
| Source | LED COB CITIZEN |
| Power | 28W |
| Driver included | TRIDONIC ON-OFF |
| Driver available | No |
| Lumen | 3350 Lm |
| MacAdam | SDCM 3 |
| Beam | 30° |
| CCT | 3000K |
| CRI | ≥90 |
| UGR | - |
| LED Life | 50.000 h |
| Insulation class | Class I |
| IP | 20 |
| Material | Aluminum |
| Warranty | 5 years |
| Net Weight | 1,120 Kg |
| Volume | 0,0061 m³ |



Code 222714
Item name QUICK 28W HONEYCOMB



Code 222691
Item name QUICK 28W LENS 18°
Code 222707
Item name QUICK 28W LENS 45°



Code 170152
Item name LINK SINGLE CONNECTION BK ON-OFF

