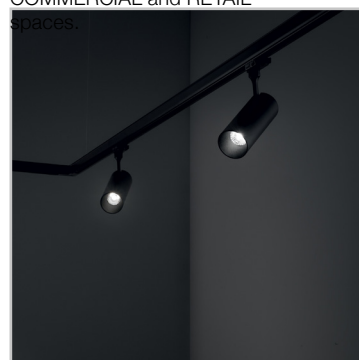


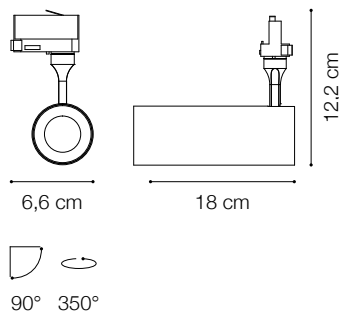


TRACKLIGHTS

Cylindrical aluminum projector (extrusion + CNC manufacturing + forging) suitable for installation on three-phase track. White or black powder coating, 350 ° rotating head and 90 ° adjustable, the power driver is included and is located in the cylindrical body of the projector itself; light source with integrated LED COB technology, available with a color temperature of 3000K or 4000K and with color rendering index up to 90; starting binning ≤ 4-Step MacAdam; min. 80% of luminous flux remaining after 50000 h duration; symmetrical beam optic with three different emission angles and glare control (UGR <19); assembly and disassembly without tools; IP 20 protection; insulation class II. Ideal for the installation in big rooms, where great flexibility and color rendering is required, such as MUSEUM, COMMERCIAL and RETAIL spaces.



| | |
|------------------|------------------------------|
| Code | 189932 |
| Item name | SMILE 15W CRI80 50° 3000K WH |
| Source | LED COB PHILIPS |
| Power | 15W |
| Driver included | RX-POWER |
| Driver available | No |
| Lumen | 1600 Lm |
| MacAdam | SDCM 4 |
| Beam | 50° |
| CCT | 3000K |
| CRI | ≥82 |
| UGR | - |
| LED Life | 50.000 h |
| Insulation class | Class II |
| IP | 20 |
| Material | Aluminum |
| Warranty | 5 years |
| Net Weight | 0,610 Kg |
| Volume | 0,0046 m³ |



Code 189536
Item name SMILE HONEYCOMB PER TRACKLIGHTS 15W



Code 189543
Item name SMILE DIFFUSORE ELLITTICO PER TRACKLIGHTS 15W



Code 189505
Item name SMILE ANELLO FRONTALE BIANCO PER TRACKLIGHTS 15W



Code 170145
Item name LINK SINGLE CONNECTION WH ON-OFF

