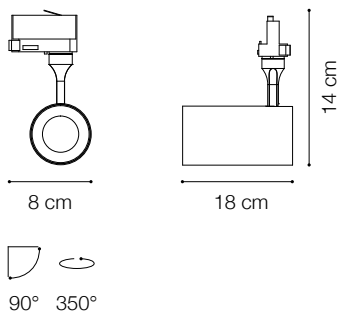




TRACKLIGHTS

Cylindrical aluminum projector (extrusion + CNC manufacturing + forging) suitable for installation on three-phase track. White or black powder coating, 350 ° rotating head and 90 ° adjustable, the power driver is included and is located in the cylindrical body of the projector itself; light source with integrated LED COB technology, available with a color temperature of 3000K or 4000K and with color rendering index up to 90; starting binning ≤ 4-Step MacAdam; min. 80% of luminous flux remaining after 50000 h duration; symmetrical beam optic with three different emission angles and glare control (UGR <19); assembly and disassembly without tools; IP 20 protection; insulation class II. Ideal for the installation in big rooms, where great flexibility and color rendering is required, such as MUSEUM, COMMERCIAL and RETAIL spaces.

| | |
|------------------|------------------------------|
| Code | 189840 |
| Item name | SMILE 20W CRI90 36° 3000K BK |
| Source | LED COB CITIZEN |
| Power | 20W |
| Driver included | TRIDONIC ON-OFF |
| Driver available | No |
| Lumen | 2200 Lm |
| MacAdam | SDCM 4 |
| Beam | 36° |
| CCT | 3000K |
| CRI | ≥92 |
| UGR | - |
| LED Life | 50.000 h |
| Insulation class | Class II |
| IP | 20 |
| Material | Aluminum |
| Warranty | 5 years |
| Net Weight | 0,870 Kg |
| Volume | 0,0050 m³ |



Code 190181
Item name SMILE HONEYCOMB PER TRACKLIGHTS 20/30W



Code 190259
Item name SMILE DIFFUSORE ELLITTICO PER TRACKLIGHTS 20/30W



Code 189529
Item name SMILE ANELLO FRONTALE BIANCO PER TRACKLIGHTS 20/30W



Code 170152
Item name LINK SINGLE CONNECTION BK ON-OFF

